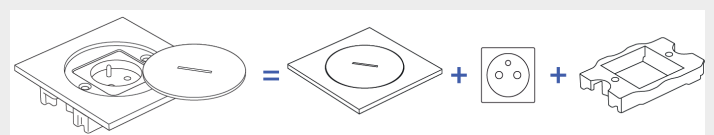


Standard opening only

## 1 GENERAL INFORMATION

- **Material:** Brushed raw 316L stainless steel, Brushed raw brass  
6mm thick lid
- **Weight:**  
Lid: 428g  
Mechanism: 68g  
Flush-mount box: 112g  
**Edges covering the flush-mounted box**
- **Intuitive assembly**
- **Compatible flush-mount boxes:** BFL160  
The flush-mounted box is sold with all the installation accessories. The BUBOX LINE watertight floorbox must be installed in the BUBOX flush-mounted box to ensure overall waterproofing.

Standard or secured opening lid + mechanism + mechanism support



Closed socket    Open socket

**IP67**    **IP20**    **IK10**    **2000 kg**    **+60°C** / **-30°C**    **CE**

## 2 FINISHES



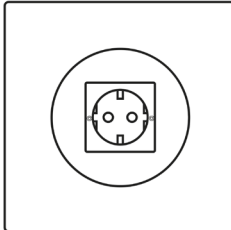
/1  
BRUSHED RAW BRASS



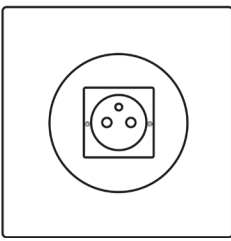
/2  
BRUSHED RAW 316L STAINLESS STEEL

## 3 CONFIGURATIONS

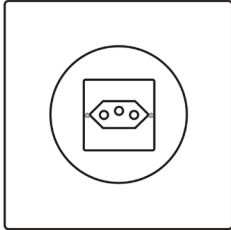
### Configurations and finishes



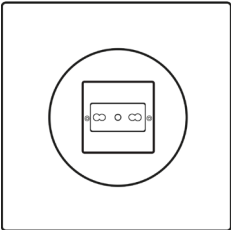
**BLACK  
FRANCO-  
BELGIAN  
SOCKET**



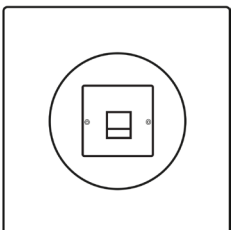
**BLACK  
SCHUKO  
SOCKET**



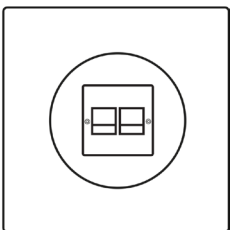
**BLACK  
SWISS  
SOCKET**



**BLACK  
ITALIAN  
BIPASSO  
SOCKET**



**BLACK  
SCREENED  
RJ45**



**DOUBLE  
BLACK  
SCREENED  
RJ45**

### References

BFL101/x – standard opening

BFL102/x – standard opening

BFL106/x – standard opening

BFL107/x – standard opening

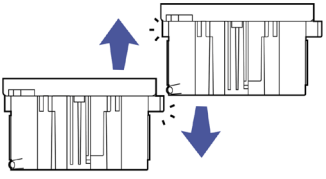
BFL10411/x – standard opening

BFL10421/x – standard opening

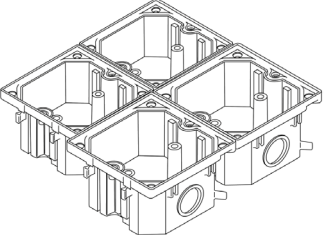


**Note** : The floor sockets are height-adjustable (from 60 to 100 mm). The enclosures can be assembled, without accessories, using a built-in mortise and tenon system, to form assemblies with multiple connections.

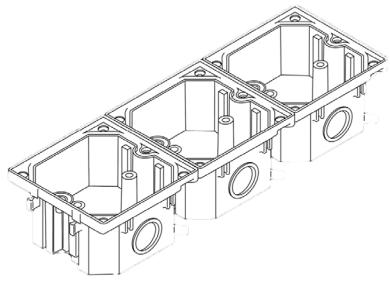
The flush-mounted box comes with all the installation accessories.



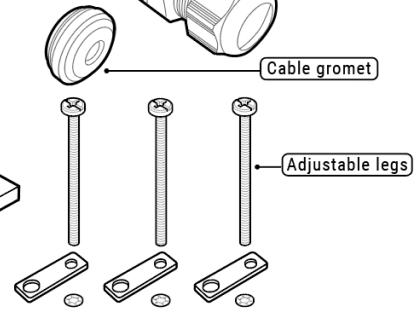
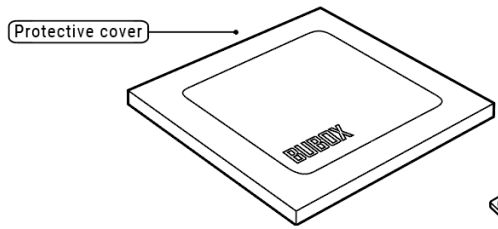
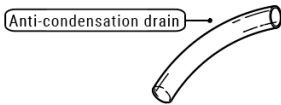
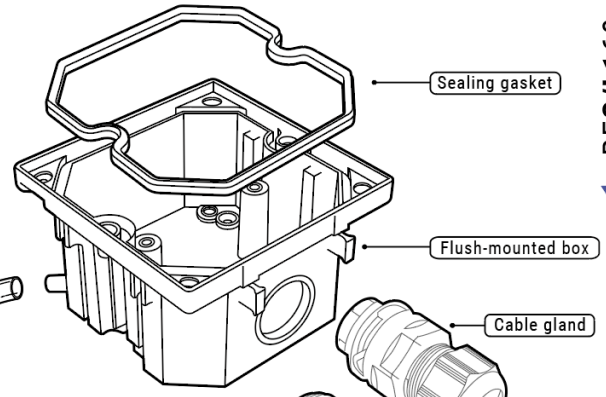
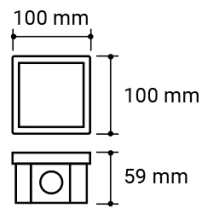
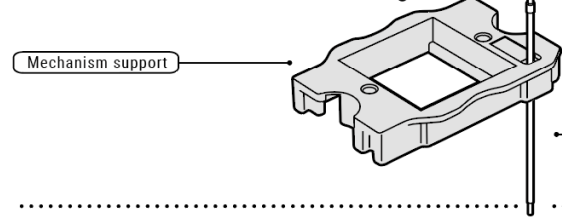
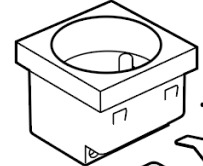
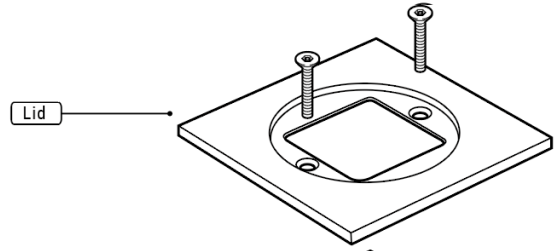
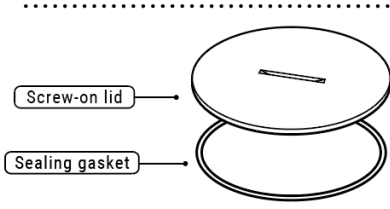
Dimensions of a 4-box unit:  
200 x 200 mm



Dimensions of a 3-box unit:  
100 x 300 mm



**STANDARD**



BUBOX LINE watertight floorbox are only available with a standard slot opening.

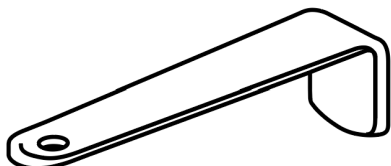
↑ BFC1.../.../... ↓  
+ BFC/L160



## 4 KIT AND ACCESSORIES

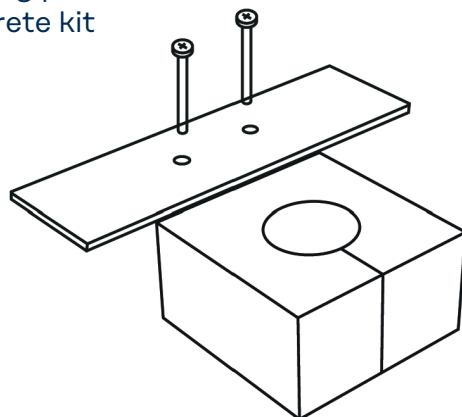
### FLAT-HEAD OPENING KEY

For standard opening watertight floorbox  
BFP001



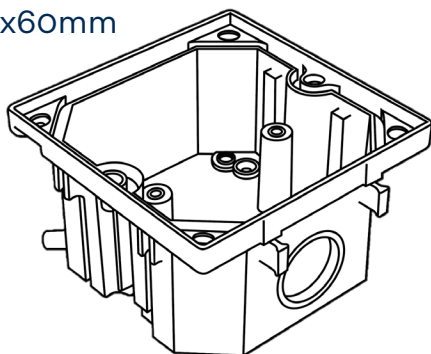
### CONCRETE KIT AND LEVELING PLATE

BFK119 – leveling plate  
BFK120 – concrete kit



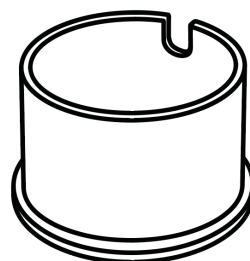
### FLUSH-MOUNT BOX

BFL160  
100x100x60mm



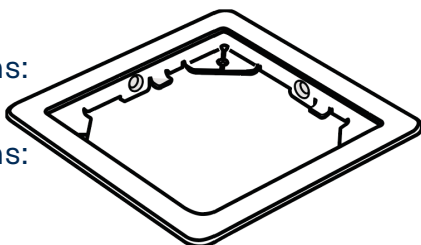
### AQUASTOP

BFK107/x – Protect connected socket  
Ø84,5x63 mm



### TERRACE KIT

BFC108/x  
Exterior dimensions:  
125x125mm  
Cut-out dimensions:  
108x108mm



## 5 CERTIFICATIONS

Complies with standards EN 60670-1, general rules for boxes and enclosures for electrical apparatus and IEC 60670-23 governing special rules. CE marked product

