



Standard opening

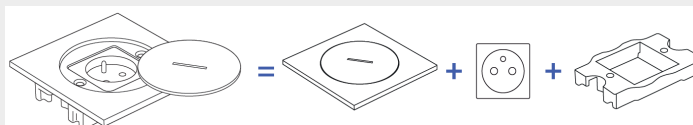


Secured opening

1 GENERAL INFORMATION

- **Material :** Brushed raw 316L stainless steel,
Brushed raw brass
6mm thick lid
- **Weight :**
Lid : 350g
Mechanism : 68g
Flush-mount box: 112g
- **Intuitive assembly**
- **Compatible flush-mount boxes:** BFC160
The flush-mounted box is sold with all the installation accessories. The BUBOX CLASSIC watertight floorbox must be installed in the BUBOX flush-mounted box to ensure overall waterproofing.

Standard or secured opening lid + mechanism + mechanism support



Closed socket

Open socket

IP67

IP20

IK10

↓
2000
kg

+60°C
-30°C

CE

2 FINISHES



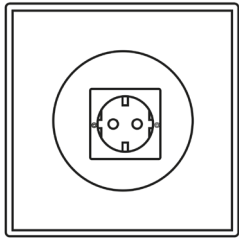
/1
BRUSHED RAW BRASS



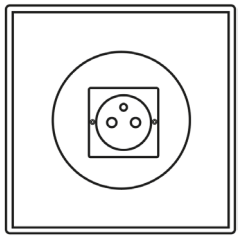
/2
BRUSHED RAW 316L STAINLESS STEEL

3 CONFIGURATIONS

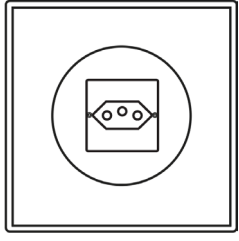
Configurations and finishes



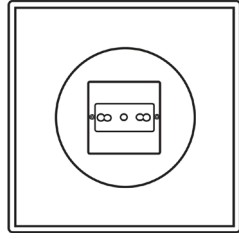
**BLACK
FRANCO-
BELGIAN
SOCKET**



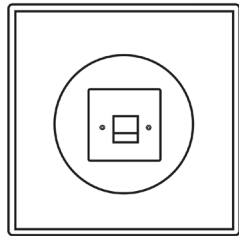
**BLACK
SCHUKO
SOCKET**



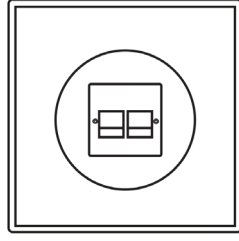
**BLACK
SWISS
SOCKET**



**BLACK
ITALIAN
BIPASSO
SOCKET**



**BLACK
SCREENED
RJ45**



**DOUBLE
BLACK
SCREENED
RJ45**

References

BFC101/x – standard opening
BFC111/x – Allen secured opening

BFC102/x – standard opening
BFC112/x – Allen secured opening

BFC106/x – standard opening
BFC116/x – Allen secured opening

BFC107/x – standard opening
BFC117/x – Allen secured opening

BFC10411/x – standard opening
BFC11411 /x – Allen secured opening

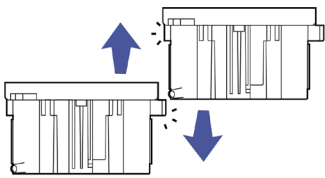
BFC10421/x – standard opening
BFC11421 /x – Allen secured opening



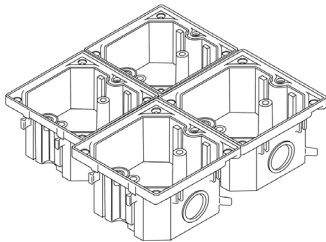
PRODUCT SHEET: BUBOX CLASSIC

Note : The floor sockets are height-adjustable (from 59 to 99 mm). The enclosures can be assembled, without accessories, using a built-in mortise and tenon system, to form assemblies with multiple connections.

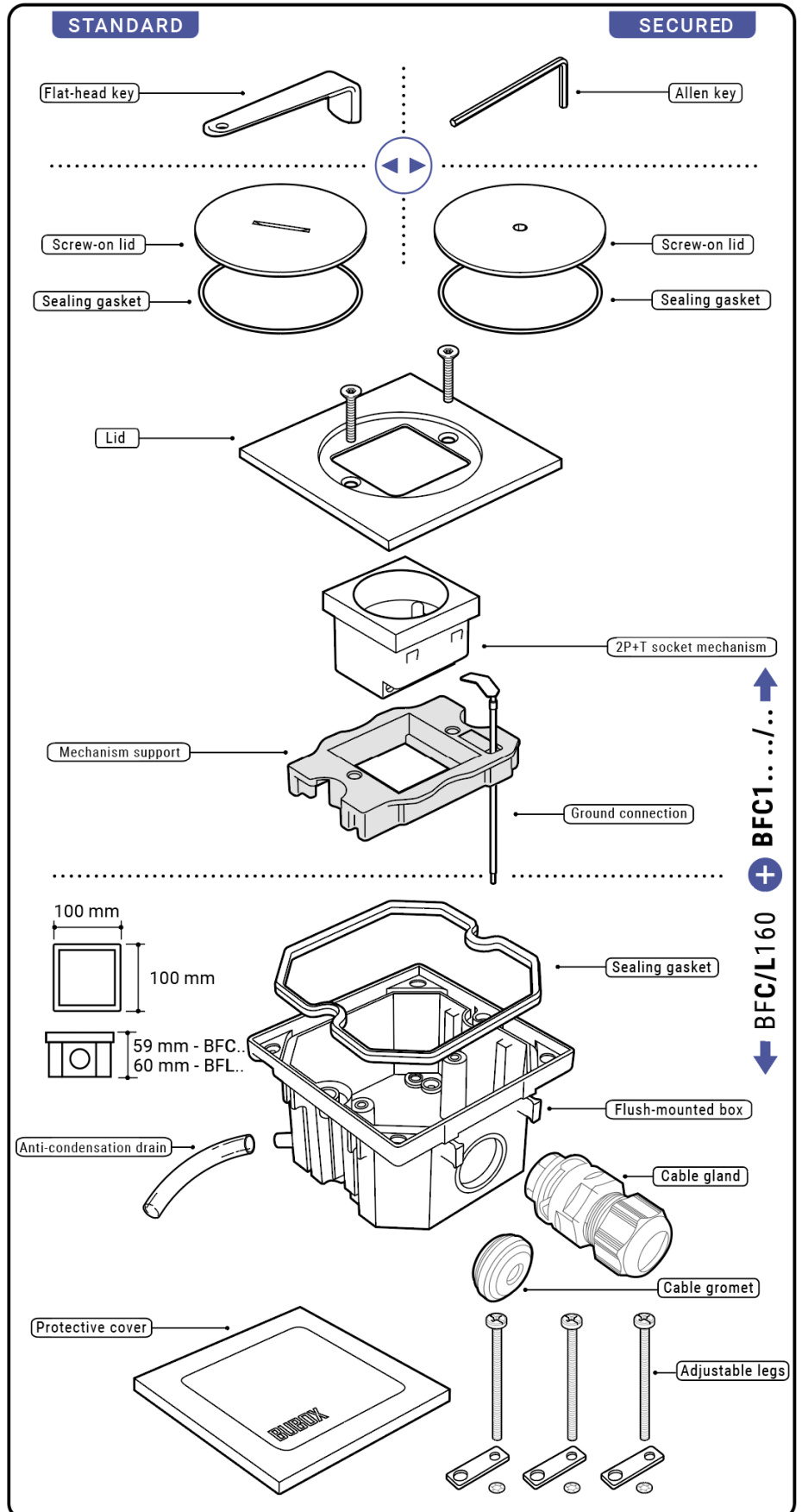
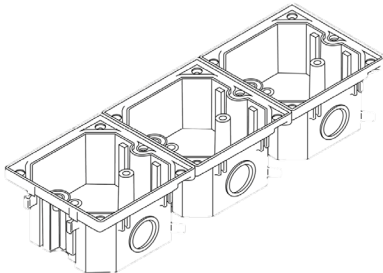
The flush-mounted box comes with all the installation accessories.



Dimensions of a 4-box unit:
200 x 200 mm



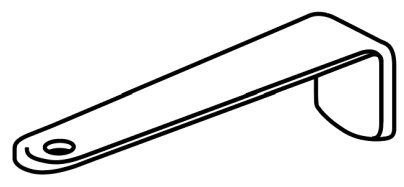
Dimensions of a 3-box unit:
100 x 300 mm



4 KIT AND ACCESSORIES

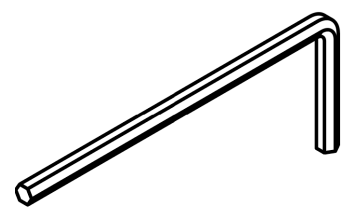
FLAT-HEAD OPENING KEY

For standard opening watertight floorbox BFP001



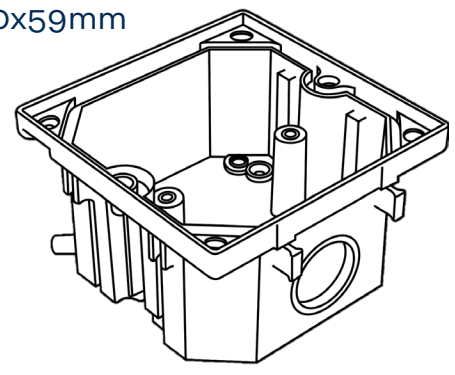
ALLEN OPENING KEY

For secured opening watertight floorbox BFP002



FLUSH-MOUNT BOX

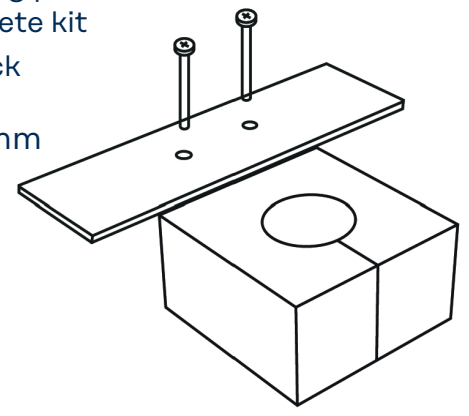
BFC160
100x100x59mm



CONCRETE KIT AND LEVELING PLATE

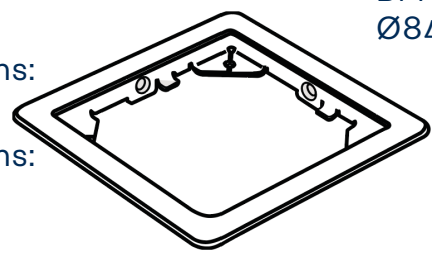
BFK119 – leveling plate
BFK120 – concrete kit

Polystyrene block
+ leveling plate :
180x180x100mm



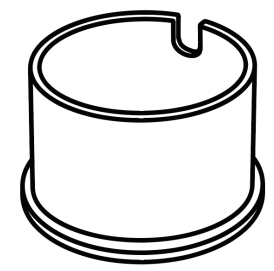
TERRACE KIT

BFC108/x
Exterior dimensions:
125x125mm
Cut-out dimensions:
108x108mm



AQUASTOP

BFK107/x – Protect connected socket
Ø84,5x63 mm



5 CERTIFICATIONS

Complies with standards EN 60670-1, general rules for boxes and enclosures for electrical apparatus and IEC 60670-23 governing special rules. CE marked product.

